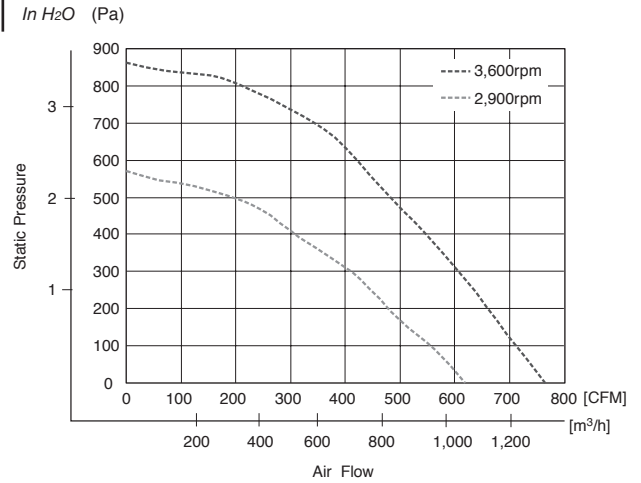




## Characteristic Curves



## General Specifications

### Motor Protection:

Locked Rotor, Reverse Polarity

### Insulation Resistance:

10M Ω min measured with 500V DC between all leads shorted together and case

### Dielectric Withstand Voltage: AC 500V 1 minute

### Allowable Ambient Temperature Range:

-30°C ~ +70°C (Operating)  
-40°C ~ +80°C (Storage)

## Expected Life

### L10 Life:

40°C 70,000 Hours

## Material

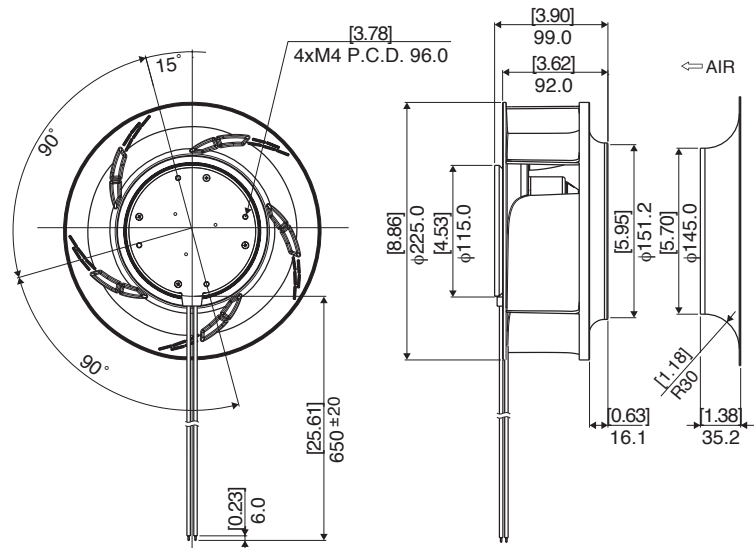
Impeller : Plastic

Bearing : Ball Bearing

Lead Wire: UL1015, AWG18, +Red, -Black,  
Speed Control = Yellow,  
Speed Signal = White

## Outline

Units: [inch]  
mm



## Specifications

| MODEL            | Rated Voltage | Operating Voltage | Current           | Input Power       | Speed                              | Max. Air Flow     |                                    | Max. Static Pressure |                    | Noise              | Mass |
|------------------|---------------|-------------------|-------------------|-------------------|------------------------------------|-------------------|------------------------------------|----------------------|--------------------|--------------------|------|
|                  | (V)           | (V)               | (A) <sup>*1</sup> | (W) <sup>*1</sup> | (min <sup>-1</sup> ) <sup>*1</sup> | CFM <sup>*1</sup> | (m <sup>3</sup> /hr) <sup>*1</sup> | in H <sub>2</sub> O  | (Pa) <sup>*1</sup> | (dB) <sup>*1</sup> | (g)  |
| F225A2-092-D0730 | 48            | 36 ~ 72           | 3.60              | 172.8             | 3600                               | 756               | 1284                               | 3.44                 | 904                | 79                 | 2100 |
| F225A3-092-D0720 | 48            | 36 ~ 72           | 2.00              | 98.0              | 2900                               | 600               | 1020                               | 2.30                 | 582                | 74                 | 2100 |
| F225A4-092-D0530 | 24            | 18 ~ 30           | 6.90              | 165.6             | 3600                               | 756               | 1284                               | 3.44                 | 904                | 79                 | 2100 |
| F225A5-092-D0520 | 24            | 18 ~ 30           | 3.90              | 93.6              | 2900                               | 600               | 1020                               | 2.30                 | 582                | 74                 | 2100 |

Rotation: Clockwise looking at Air Inlet

\*1: Average Values in Free Air and Rated Voltage Condition